



Float and Board Indicator

Introduction :

The Float & Board Level Indicators are designed for an **Sahana** accurate, reliable & trouble free float operated technique used in large non-pressurized storage tanks

Principle :

The Float & Board Level Indicators consists of a float connected to a pointer through a rope via a set of pulleys. The pointer glides over a calibrated gauge board, positioned parallel to the tank. The float accurately follows liquid level variations in vertical direction. The float movement is vertical such that the pointer in 'TOP POSITION' when tank is 'EMPTY' and in 'BOTTOM POSITION' when 'FULL'.



Gauge Classification :

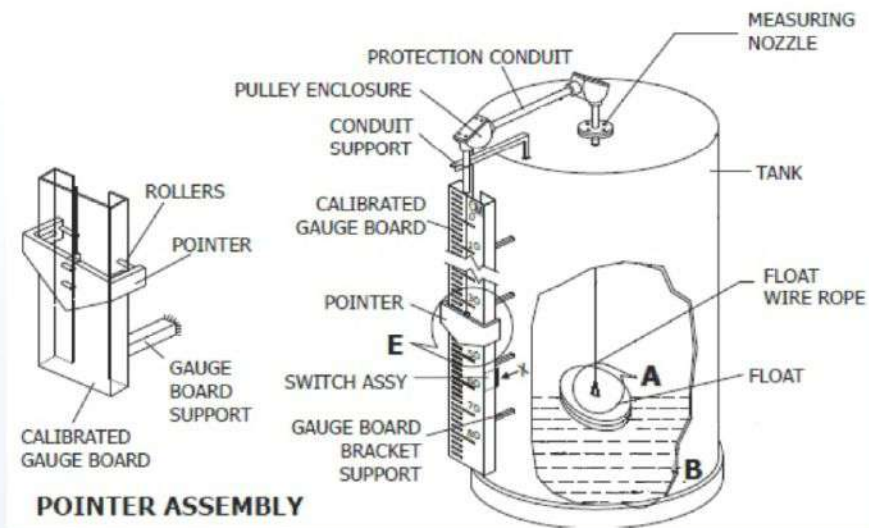
Measuring Range	: Up to 25 meters. For more than 25 meters please consult factory.
Float	: 12 " or 15"
Calibrated Gauge Board	: 6" wide x Al white powder coating with black graduations & numerals
Least Count	: 5mm
Maximum Temperature	: 80° C (PP) / 150° C (SS)
Maximum Pressure	: 5 Kg/cm ²
Float Wire Rope	: Ø1.6mm x SS 316 / SS 304 (multistrand) / Ø6mm x PP (multistrand)
Installation	: Grounded Level Tank / Underground Tank (sump) / Overhead Tank
Specific Gravity of Fluid	: 0.75
Connecting Pipe	: Carbon Steel Powder Coated
Local Indication	
Direct	: Powder coated Red CI pointer with Nylon Rollers to provide super smooth movement along gauge board. Pointer Tip indicates 'Level'.
Follower Magnet	: Red Capsule moving inside indicator tube. White annular line on capsule indicates 'Level'.
Pulley Assemblies (2 Nos.)	: Cadmium Plated Steel Pulley with PTFE bush and SS shaft housed in weather proof CI enclosure.

Protection Conduit :

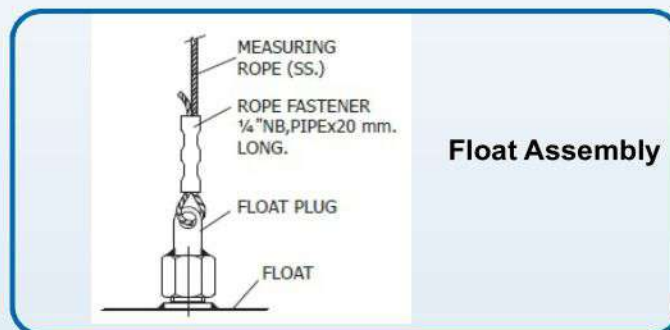
Horizontal Limb	: GI pipe 25NB x 400mm to 800mm (adjustable)
Vertical Limb	: GI pipe 25NB x 195mm & 100mm long
Process Connections	: 1" 150#
Gauge Board Brackets	: Powder coated MS

Special Features

Seal Pot	: For Tanks with vapour pressure upto 600 mm WC or corrosive fumes
Adjustable S/W	: Reed S/W - 40VA (N/O), 60VA (C/O), Micro S/W - 5A, 230 VAC (C/O)
Note	Custom made assemblies can be provided for specific applications



Float & Board Level Indicator Assembly



Float Assembly

ORDERING INFORMATION

BASIC MODEL

MATERIAL OF PROCESS CONNECTION

CS = Carbon Steel

S1 = SS 304

S2 = SS 316

PROCESS CONNECTION

Flanged Connections(As per ANSI B 16.5)

- F501 = 1/2" 150# RF
- F503 = 1/2" 300# RF
- F506 = 1/2" 600# RF
- F751 = 3/4" 150# RF
- F753 = 3/4" 300# RF
- F756 = 3/4" 600# RF
- XXX = NON STANDARD

- F101 = 1" 150# RF
- F103 = 1" 300# RF
- F106 = 1" 600# RF
- F151 = 1 1/2" 150# RF
- F153 = 1 1/2" 300# RF
- F156 = 1 1/2" 600# RF

- F201 = 2" 150# RF
- F203 = 2" 300# RF
- F206 = 2" 600# RF
- F301 = 3" 150# RF
- F303 = 3" 300# RF
- F306 = 3" 600# RF

MATERIAL OF FLOAT

S2 = SS 316

S3 = SS 316 L

MATERIAL OF SCALE

AL = Aluminum (Standard)

S1 = SS 304

RANGE

Please specify in mm (e.g. Write 2000 for 2000 mm)
(This indicator will be supplied from 1000 mm up to 20000 mm)

OPTIONS

- AR1 = Adjustable Reed Switch x 1
- AR2 = Adjustable Reed Switch x 2
- AM1 = Adjustable Micro Switch x 1
- AM2 = Adjustable Micro Switch x 2

Ordering Example : - - - - - mm -

